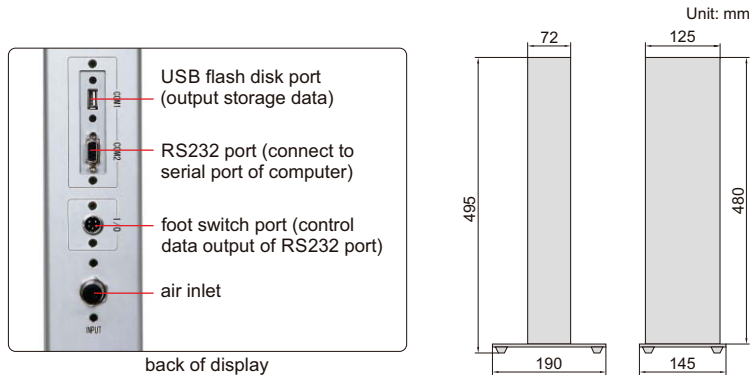


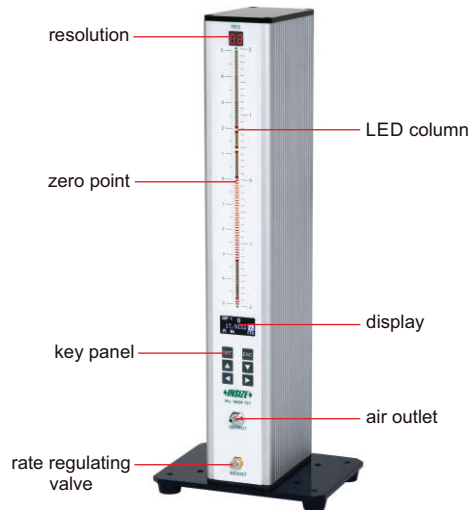
AIR GAGE DISPLAY CODE 9404-121



- Can store 10 measuring programs, and the program can be switched quickly
- Data storage function, support manual and automatic storing, 3000 groups data can be stored
- Insert USB flash disk to output storage data
- Automatically detect internal or external dimension measurement
- With foot switch for data transmission
- Automatic grouping function for workpiece sorting

SPECIFICATION

LED quantity	101 pcs			
LED color	red, orange, green			
LED height	254mm			
Range, resolution and accuracy	range	resolution		accuracy
		LED	display	
	10μm	0.1μm	0.1μm	0.2μm
	20μm	0.2μm	0.1μm	0.4μm
50μm	0.5μm	0.1μm	1μm	
Unit	mm, μm			
Air supply	dry and clean, 0.4~0.8MPa			
Data interface	RS232/USB flash disk			
Operation temperature	0~45°C			
Power supply	220V, 50/60Hz			
Dimension (L×W×H)	190×145×495mm			
Weight	4.25kg			



air filter (optional)



pressure regulating valve (optional)



RS232 cable (optional)



foot switch (optional)

STANDARD DELIVERY

Main unit	1 pc
-----------	------

OPTIONAL ACCESSARY

Air filter	9401-FILTER-A
Pressure regulating valve	9404-PRV
RS232 cable	9404-CABLE
Foot switch	9404-FS
Data output cable (keyboard format)	7302-9404